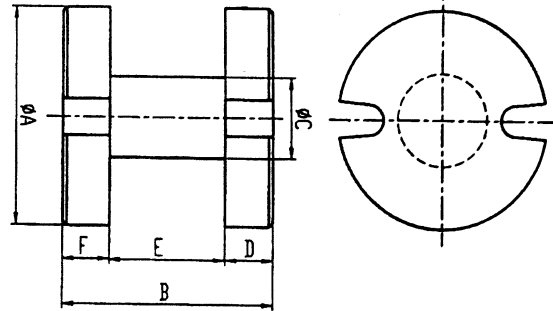


RI cores

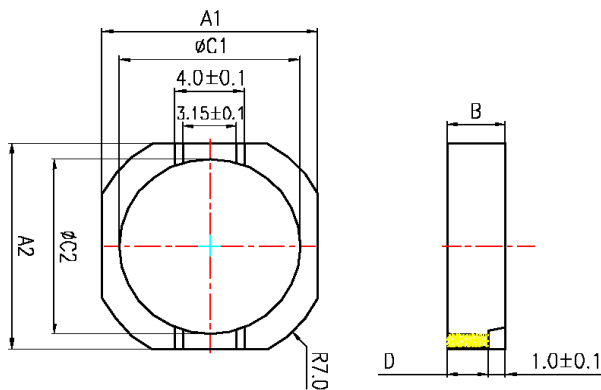
IG10X5. 1X3. 55
RI12. 2X3. 4X10. 5



CORE SETS

CORE DIMENSIONS (mm)

Dimensions (mm)						Weight (g)
ΦA	B	ΦC	D	E	F	
10.0 ⁺⁰ _{-0.15}	3.55±0.15	5.1±0.1	0.85±0.1	1.85±0.1	0.85±0.1	1.78



Dimensions (mm)						Weight (g)
A1	A2	B	ΦC1	ΦC2	D	
12.5±0.2	12.0±0.2	3.4±0.2	10.5±0.2	10.5±0.2	2.4±0.15	1.12

Characteristic

Grade	L (μH)	L _{2.0A} (μH)
		f=100kHz U=1.0V N=20Ts, Φ0.2 mm
DN40B	41.0±20%	≥85% X L _{0A}