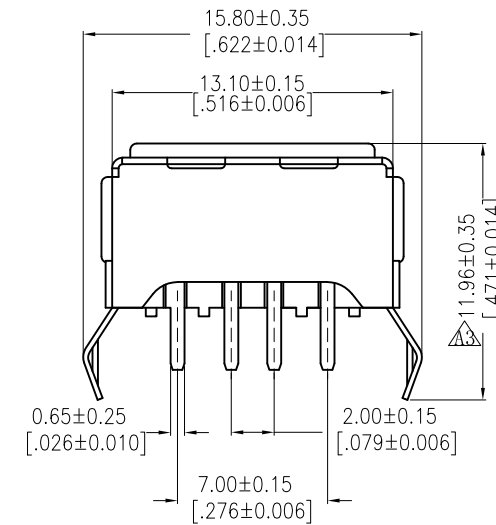
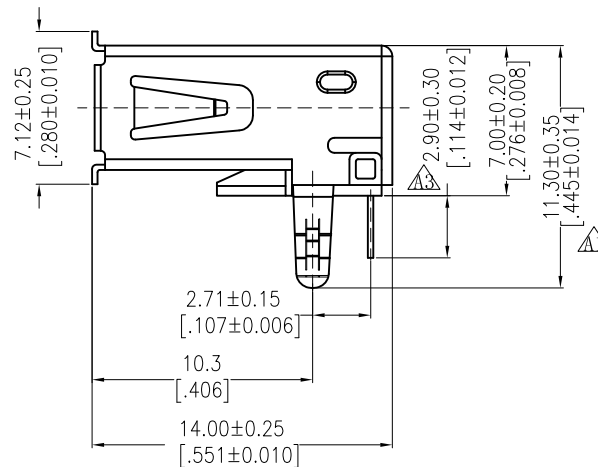
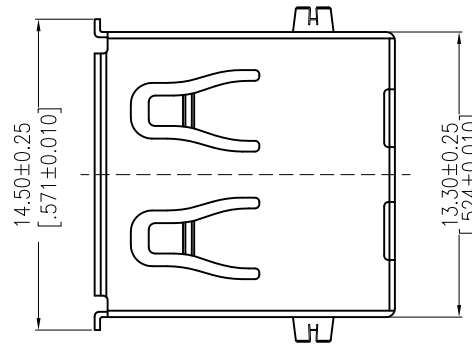
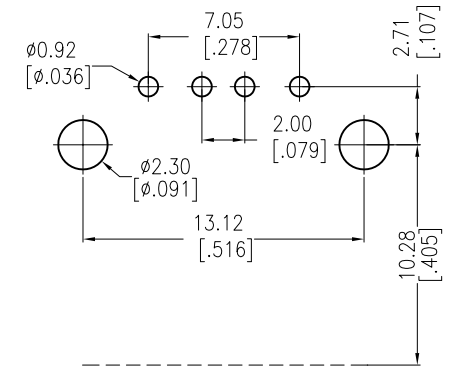


HSF

NOTES:
 Current Rating: 1.0AMP
 Contact Resistance: 30mΩ Max
 Withstand Voltage: 100V AC/DC
 Insulation Resistance: 1000MΩ Min
 Operation Temperature: -40°C to +85°C

Contact Material: Phosphor Bronze
 Contact plating: Au Or Sn over Ni
 Shell plating: Ni over Cu
 Insulator Material: PBT+30%G.F UL94V-0

Recommended P.C.B Layout (Top Side)
 (PCB BOARD TOLERANCE ±0.05)



Ordering Information

6110-04 A F R D XXXX N A X

Contact Plating
 S0=Gold Flash/ Tin
 S3=10u"Gold/ Tin
 S4=15u"Gold/ Tin
 S5=30u"Gold/ Tin

Color Insulator
 B=Black
 W=White

Packing: Series No.
 A=Tray

A3	2017/02/27	Modify		OPERATION	DRAW	DATE	SCALE	FIT	PART NO. 6110-04AFRDXXXNAX
A2	2015/07/27	Modify		x.x ±0.40	Ding	2017/02/27	UNIT	mm	
A1	2013/04/17	MODIFY 10.70 TO 11.30		x.xx ±0.25	CHECK	DATE	SIZE	A4	TITLE: USB A-TYPE 90° DIP
A0	2013/01/09	NEW		x.xxx ±0.15	APPROVE	DATE	SHEET	1/1	
REV	DATE	MODIFICATION DESCRIPTION	CHANGE	Angle ± 3'	DIM TOL	DATE	PROJ.		Customer NO.