

# HSF

## Specification

- 1.Current Rating:1.5AMP
- 2.Contact Resistance:30mΩ max
- 3.Insulation Resistance:1000MΩ min
- 4.Dielectric Withstanding Voltage:500V R.M.S
- 5.Temperature Rating:-40℃ to +85℃

## Mechanical Characteristics:

- 6.Mating Force:3.57kg.min
- 7.Mating Force:1.02kg.min
- 8.Durability:Mandatory:5000 Cycles

Contact:Phosphor Bronze(T=0.20mm)

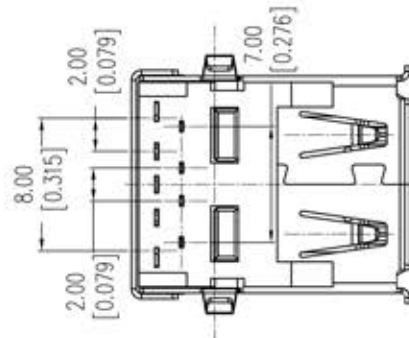
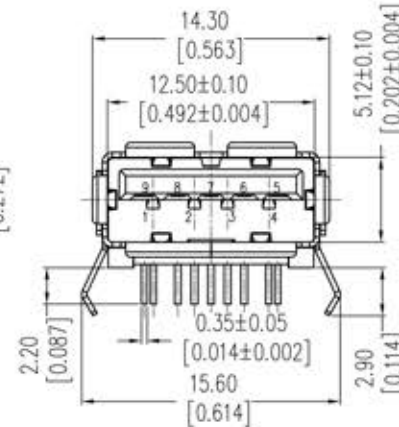
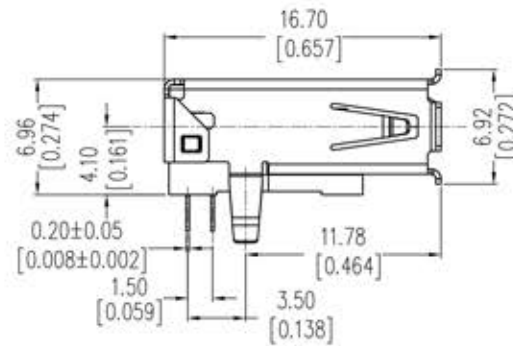
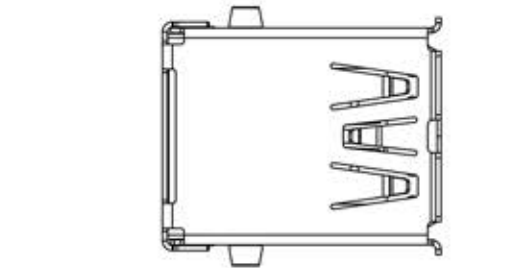
Insulator:LCP+30%GF(UL94V-0)

Shell:Brass(T=0.30mm)

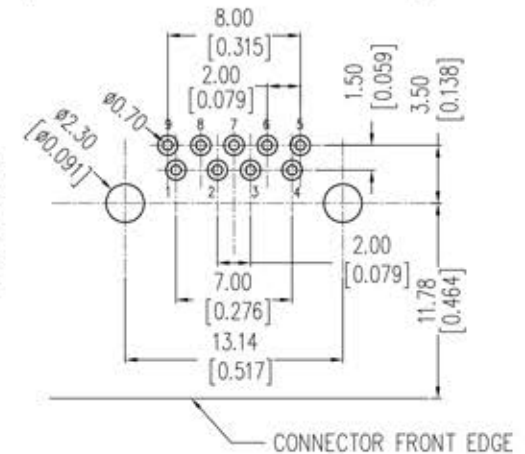
## Ordering Information

6112-09 AFRDXXUN A1

|                   |         |          |            |
|-------------------|---------|----------|------------|
| Contact Plating   | Plating | Packing: | Series No. |
| S0=Gold Flash/Tin | B=Black | A=Tray   |            |
| S1=3u"Gold/Tin    | W=White |          |            |
| S2=5u"Gold/Tin    | U=Blue  |          |            |
| S3=10u"Gold/Tin   | R=Red   |          |            |
| S4=15u"Gold/Tin   |         |          |            |
| S5=30u"Gold/Tin   |         |          |            |



## Recommended P.C.B Layout(Top Side) (PCB BOARD TOLERANCE±0.05)



| REV | DATE       | MODIFICATION DESCRIPTION | CHANGE | OPERATION   | DRAW    | DATE       | SCALE | FIT | PART NO.                                 |
|-----|------------|--------------------------|--------|-------------|---------|------------|-------|-----|--|
| A0  | 2012/06/29 | NEW                      |        | X.X ±0.40   | JYHuang | 2012/06/29 | UNIT  | 1/1 | 6112-09AFRDXXXNA1                        |
|     |            |                          |        | X.XX ±0.25  | CHECK   | DATE       | SIZE  | A4  | TITLE:                                   |
|     |            |                          |        | X.XXX ±0.15 | APPROVE | DATE       | SHEET | 1/1 | USB3.0A-TYPE FEMALE 90°<br>16.7mm长 弯脚DIP |
|     |            |                          |        | Angle ± 3'  |         |            | PROJ. |     | Customer NO.                             |
|     |            |                          |        | DIM TOL     |         |            |       |     |  |