

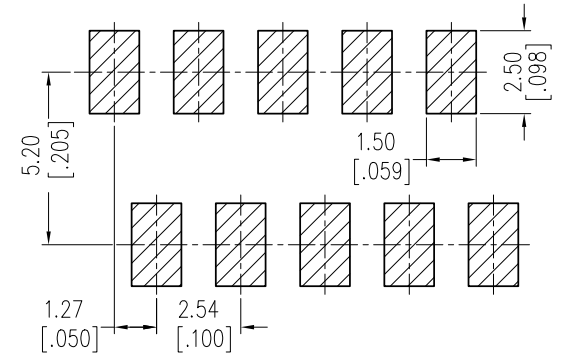
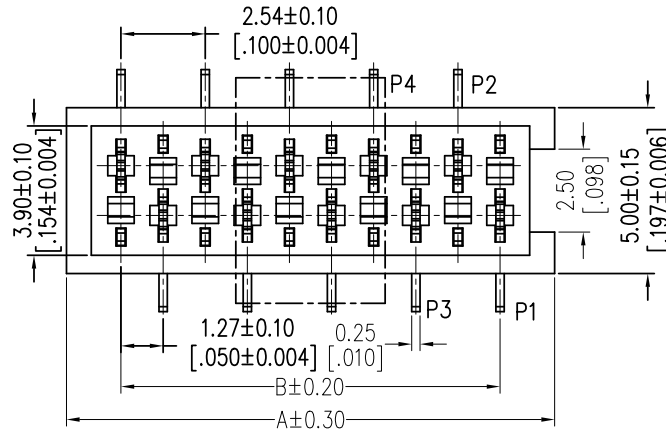
HSF

NOTES:

Current Rating: 1.0AMP
 Contact Resistance: 20mΩ Max
 Withstand Voltage: 500V AC/DC
 Insulation Resistance: 1000MΩ Min
 Operation Temperature: -40°C to +105°C

Contact Material: Phosphor Bronze
 Contact plating: Sn Over Ni
 Insulator Material: PA46+30%G.F UL94V-0

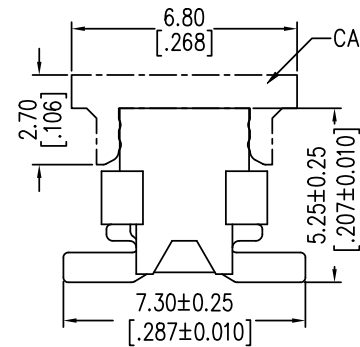
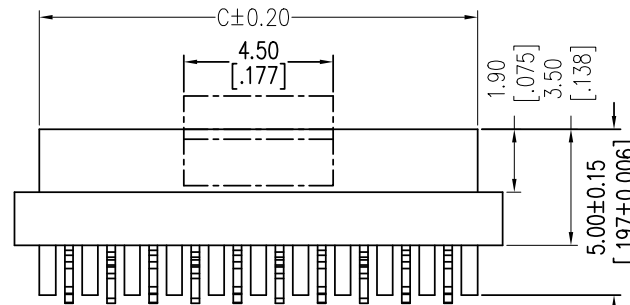
Recommended P.C.B Layout (Top Side)
 (PCB BOARD TOLERANCE ±0.05)



Ordering Information

3900-XX FM SN E N T 01

No. of Pins: 04P 12P, 06P 14P, 08P 16P, 10P 18P, 20P
 Contact Plating: SN=Tin
 Insulator Material: E=PA46
 Packing: T=Tube, P=Tube+CAP, R=Tape&Reel+CAP



Circuit	Part No.	Dimension			Q'ty /Tube
		A	B	C	
04	3900-04FMSNENX01	7.00	3.81	5.60	82
06	3900-06FMSNENX01	9.54	6.35	8.14	60
08	3900-08FMSNENX01	12.08	8.89	10.68	48
10	3900-10FMSNENX01	14.62	11.43	13.22	39
12	3900-12FMSNENX01	17.16	13.97	15.76	33
14	3900-14FMSNENX01	19.70	16.51	18.30	29
16	3900-16FMSNENX01	22.24	19.05	20.84	26
18	3900-18FMSNENX01	24.78	21.59	23.38	23
20	3900-20FMSNENX01	27.32	24.13	25.92	21

REV	DATE	MODIFICATION DESCRIPTION	CHANGE	OPERATION	DRAW	DATE	SCALE	FIT	PART NO.
A2	2018/05/15	MINI MATCH--1.27mm MRC Connector	△A	x.x ±0.40	Ding	2018/05/15	UNIT	mm	SEE TAB
A1	2014/05/28	MICRO MATCH--MINI MATCH	△A	x.xx ±0.25	CHECK	DATE	SIZE	A4	TITLE:
A0	2012/10/11	NEW	-----	x.xxx ±0.15	APPROVE	DATE	SHEET	1/1	1.27mm MRC Connector Socket
				Angle ± 3'			PROJ.	Customer NO.	
				DIM TOL					