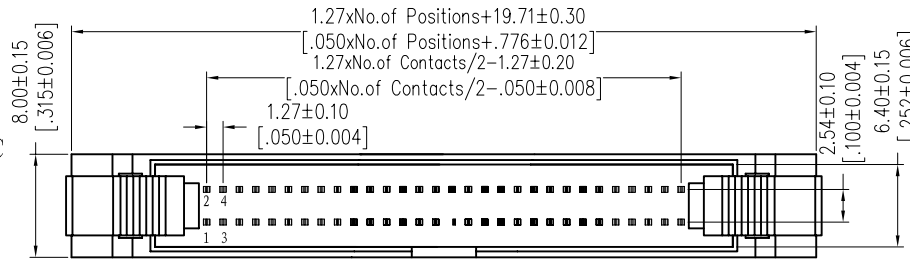


# HSF

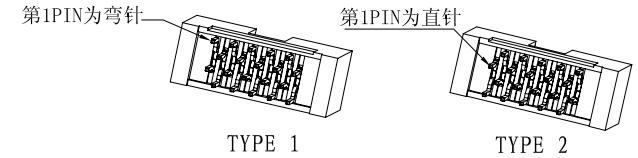
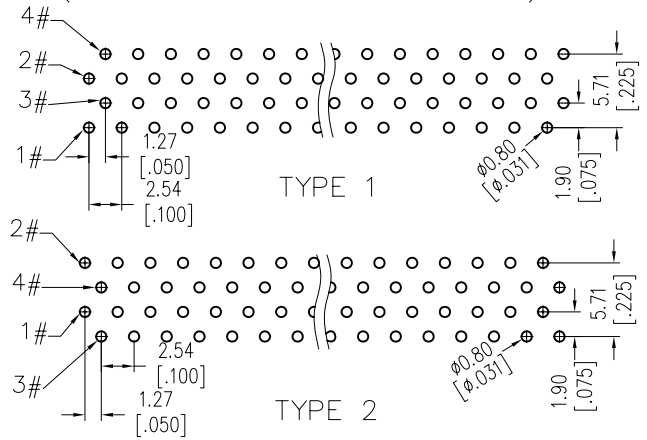
**NOTES:**

Current Rating: 1.0AMP  
 Contact Resistance: 20mΩ Max  
 Withstand Voltage: 500V AC/DC  
 Insulation Resistance: 1000MΩ Min  
 Operation Temperature: -40°C to +105°C

Contact Material: Brass  
 Contact plating: Au Or Sn over Ni  
 Insulator Material: PA9T+30%G.F UL94V-0



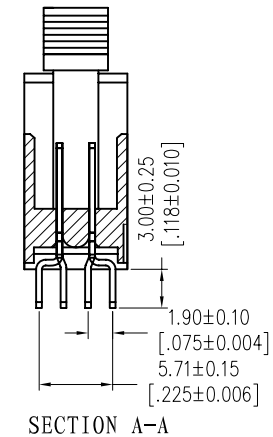
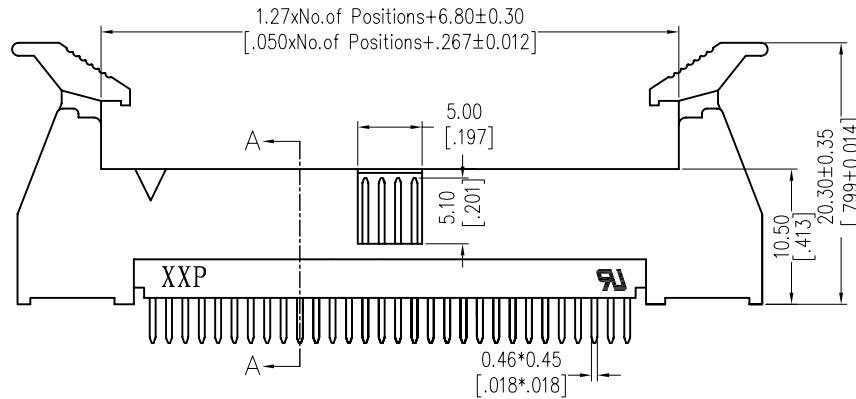
Recommended P.C.B Layout (Top Side)  
 (PCB BOARD TOLERANCE ±0.05)



## Ordering Information

3241-XX S XX B S X X

No. of Pins	Contact Plating	Color Insulator	Packing	Series No.
10 30	G0=Gold Flash	B=Black	T=Tube	1=Type 1
12 32	G3=10u"Gold	U=Blue		2=Type 2
14 34	G4=15u"Gold	W=White		
16 40	G5=30u"Gold			
20 44	S0=Gold Flash/Tin			
24 50	S3=10u"Gold/Tin			
26 60	S4=15u"Gold/Tin			
64	S5=30u"Gold/Tin			
80	SN=Tin			
100				



Item	Pitch	Mating
Standard	1.27X2.54	5242
Alternate		

OPERATION	DRAW	DATE	SCALE	FIT	PART NO.
x.x ±0.40	JYHuang	2012/10/05	UNIT	mm	3241-XXSXXBSXX
x.xx ±0.25	CHECK	DATE	SIZE	A4	TITLE:
x.xxx ±0.15	APPROVE	DATE	SHEET	1/1	1.27*2.54 EJECTOR HEADER 180° FOUR ROW
Angle ± 3'			PROJ.		Customer NO.
DIM TOL					

REV	DATE	MODIFICATION DESCRIPTION	CHANGE
A0	2012/10/05	NEW	-----