

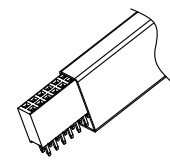
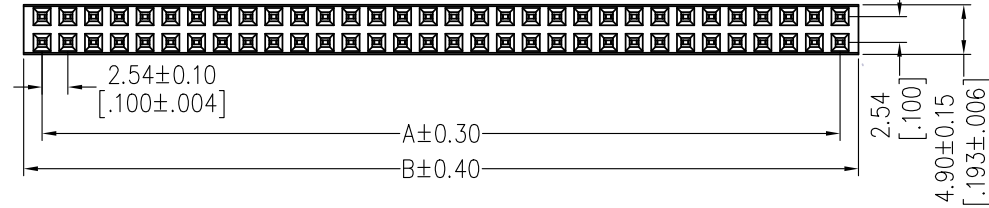
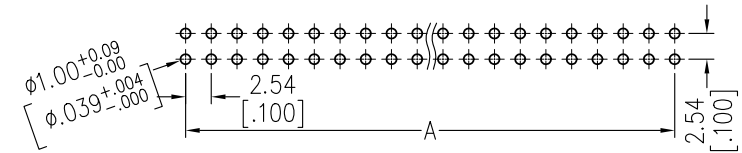
# HSF

**NOTES:**

Rated Current: 3.0AMP  
 Rated Voltage: 12V DC  
 Contact Resistance: 30mΩ max  
 Withstand Voltage: 1000V AC/DC  
 Insulation Resistance: 5000MΩ min  
 Operation Temperature: -55°C to +105°C

Contact Material: Copper Alloy  
 Contact Plating: Au or Sn Over Ni  
 Insulator Material: High Temperature Thermoplastic(UL94V-0)

Recommended P.C.B Layout(Top Side)  
 (PCB BOARD TOLERANCE±0.05)



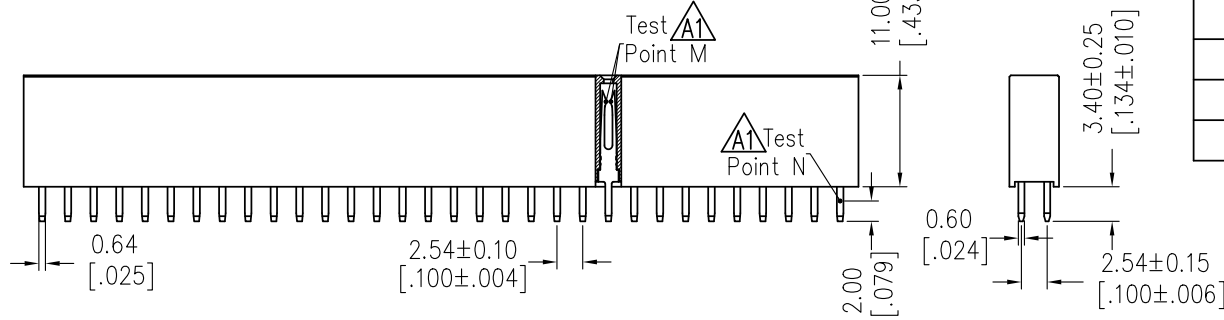
## Ordering Information

2111A-2 XX S XX F Y N T 3

No. of Pins per  
 20P  
 32P

Contact Plating:  
 G1=3u"Gold  
 G3=10u"Gold  
 G4=15u"Gold  
 S1=Sel.3u"Gold/Tin  
 S3=Sel.10u"Gold/Tin  
 S4=Sel.15u"Gold/Tin

Packing:  
 T=Tube



Contact Plating	Test Point M	Test Point N
G1	3U"Au	1U"Au
G3	10U"Au	1U"Au
G4	15U"Au	1U"Au
S1	3U"Au	Sn:100u"
S3	10U"Au	Sn:100u"
S4	15U"Au	Sn:100u"

Item	Pitch	Mating
Standard	2.54	1125
Alternate		

ITEM	Dim A	Dim B	Pcs/Tube
2*20P	48.26	51.90	11
2*32P	78.74	82.38	7

REV	DATE	MODIFICATION DESCRIPTION	CHANGE	OPERATION	DRAW	DATE	SCALE	FIT	PART NO.
				x.x ±0.40	XSR	2019/12/06	UNIT	mm	2111A-2XXSXXFYNT3
A1	2019/12/06	modify	-----	x.xx ±0.25	CHECK	DATE	SIZE	A4	
A0	2012/08/20	NEW	-----	x.xxx ±0.15			SHEET	1/1	TITLE: 2.54*2.54mm PC104 2*20P/32P 180° DIP H=11.0 DIP=3.40
				Angle ± 3°	APPROVE	DATE	PROJ.	Customer NO.	
				DIM TOL					