

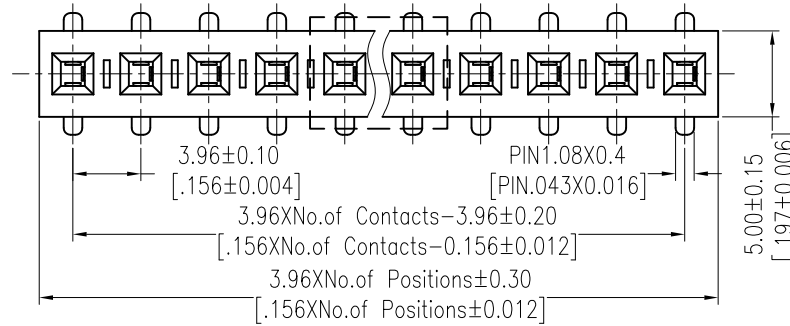
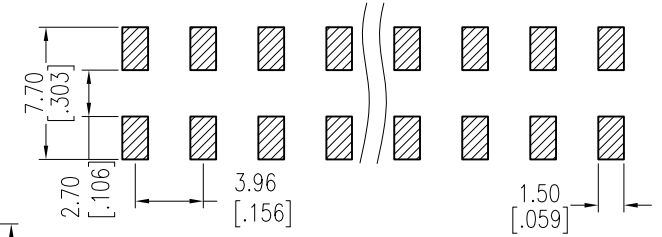
HSF

NOTES:

Rated Current:7.0AMP
 Contact Resistance:30mΩ max
 Withstand Voltage:1000V AC/DC
 Insulation Resistance:1000MΩ min
 Operation Temperature:-40°C to +105°C

Contact Material:Phosphor Bronze
 Contact Plating:Sn Over Ni
 Insulator Material:LCP+30%G.F UL94V-0

Recommended P.C.B Layout(Top Side)
 (PCB BOARD TOLERANCE±0.05)



Ordering Information

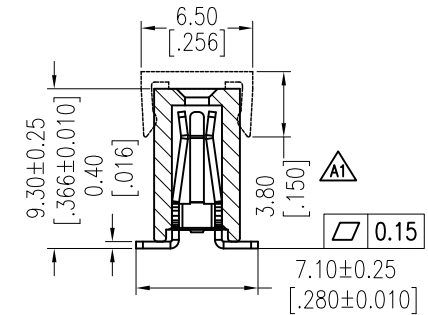
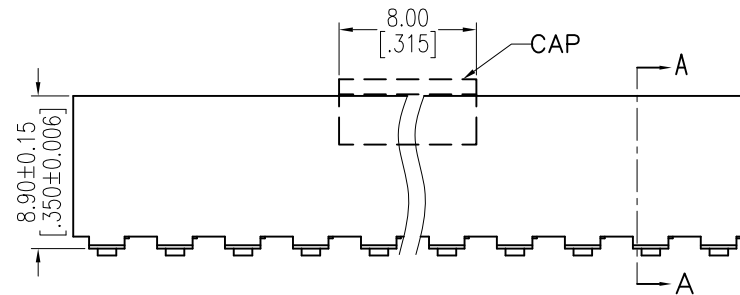
2889-1XX M XX D UN T 1

No. of Pins per Row: 02-20Pin



Contact Plating:
 SN=Tin
 SM=Matte Tin

Packing:
 T=Tube
 P=Tube+CAP
 R=Tube&Reel+CAP



SECTION "A-A"

Item	Pitch	Mating
Standard	3.96	1832
Alternate		

REV	DATE	MODIFICATION DESCRIPTION	CHANGE	OPERATION	DRAW	DATE	SCALE	FIT	PART NO.
A2	2017/06/08	Modify	-----	X.X ±0.40	Surong Xu	2017/06/08	UNIT	mm	2889-1XXMXXDUNT1
A1	2013/06/17	Modify CAP 4.30 → 3.80	-----	X.XX ±0.25	CHECK	DATE	SIZE	A4	
A0	2012/08/18	NEW	-----	X.XXX ±0.15	APPROVE	DATE	SHEET	1/1	
				Angle ± 3'			PROJ.	⊕	Customer NO.
				DIM TOL					