

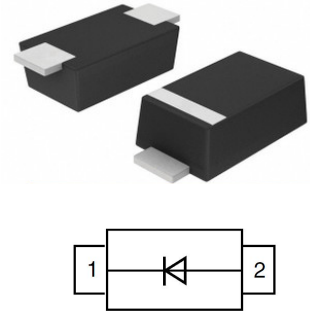
Fast Recovery Surface Mount Rectifier in SOD-123FL

Features

- For surface mounted application
- Glass passivated junction chip
- Built-in strain relief, ideal for automated placement
- Fast switching for high efficiency

Mechanical Data

- **Case:** JEDEC SOD-123FL molded plastic
Lead free; RoHS compliant
- **Molding Compound Flammability Rating:**
UL 94 V-0
- **Terminals:** High temperature soldering guaranteed:
260 °C/10 sec. at terminals



Maximum Ratings And Electrical Characteristics

Ratings at 25° C ambient temperature unless otherwise specified.
Single phase half-wave 60Hz, resistive or inductive load, for capacitive load current derate by 20%.

Parameter	Symbols	RS1AL	RS1BL	RS1DL	RS1GL	RS1JL	RS1KL	RS1ML	Units
Maximum repetitive peak reverse voltage	V_{RRM}	50	100	200	400	600	800	1000	Volts
Maximum RMS voltage	V_{RMS}	35	70	140	280	420	560	700	Volts
Maximum DC blocking voltage	V_{DC}	50	100	200	400	600	800	1000	Volts
Maximum average forward rectified current See Fig. 1 @ $T_J=90^{\circ}C$	$I_{(AV)}$	1.0							Amp
Peak forward surge current, 8.3 ms single half sine-wave superimposed on rated load (JEDEC Method)	I_{FSM}	25							Amps
Maximum instantaneous forward voltage @ 1.0A	V_F	1.3							Volts
Maximum DC reverse current at rated DC blocking voltage	I_R	5.0 50							μA
Maximum reverse recovery time (Note 1)	t_r	150				250	500		nS
Typical junction capacitance (Note 2)	C_J	10							pF
Typical thermal resistance (Note 3)	$R_{\theta JA}$ $R_{\theta JL}$	105.0 32.0							$^{\circ}C/W$
Operating temperature range	T_J	-55 to +150							$^{\circ}C$
Storage temperature range	T_{STG}	-55 to +150							$^{\circ}C$

- Notes:**
1. Reverse Recovery Test Conditions: $I_F=0.5A$, $I_R=1.0A$, $I_{RR}=0.25A$
 2. Measured at 1 MHz and Applied $V_R=4.0$ Volts
 3. Thermal Resistance from Junction to Ambient and from Junction to Lead Mounted on P.C.B. with 0.2" x 0.2" (5.0 x 5.0 mm) Copper Pad Areas

Typical Characteristics ($T_{amb} = 25^\circ\text{C}$ unless otherwise specified)

Figure 1. Forward Current Derating Curve

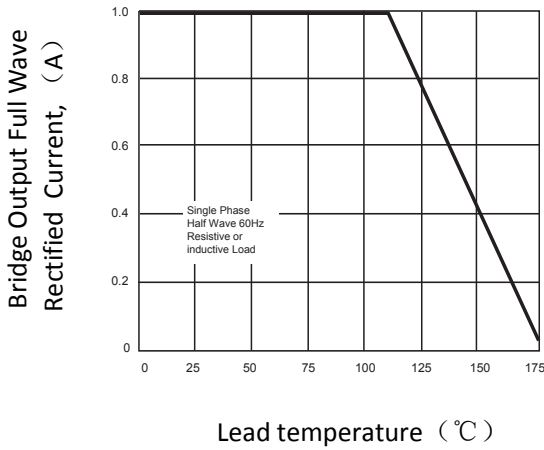


Figure 2. Maximum Non-Repetitive Peak Forward Surge Current

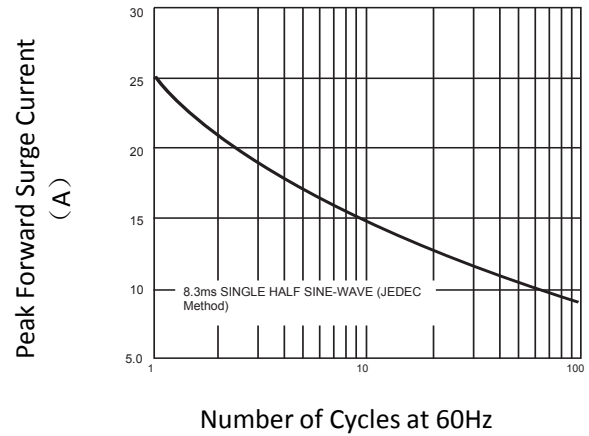


Figure 3. Typical Instantaneous Forward Characteristics

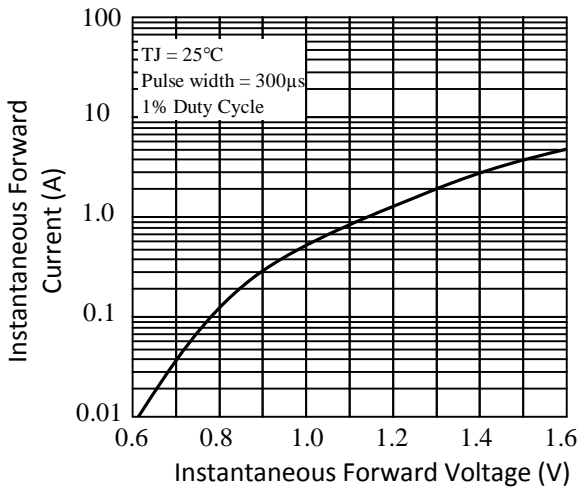


Figure 4. Typical Reverse Characteristics

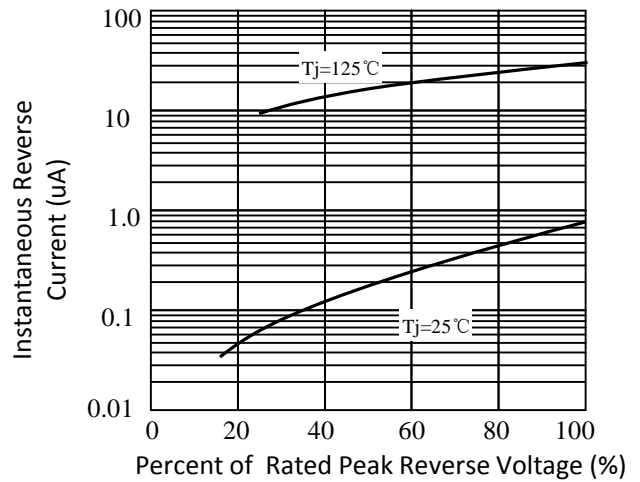


Figure 5. Typical Junction Capacitance

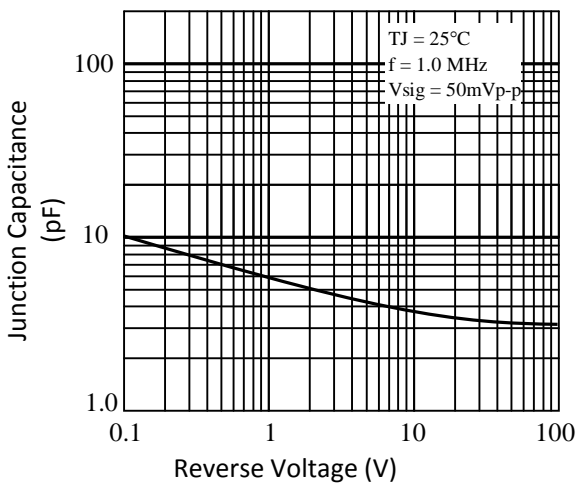
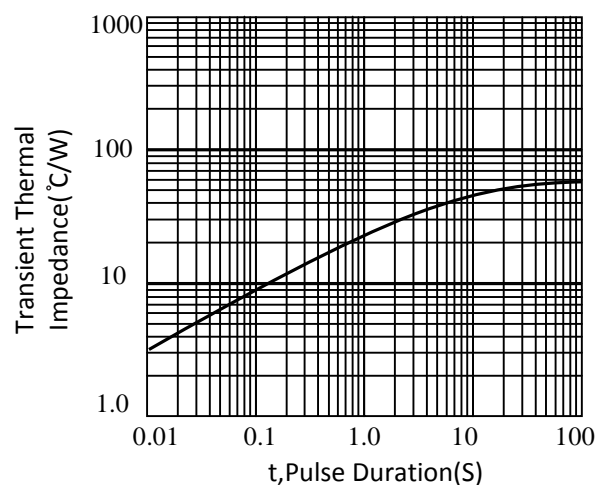
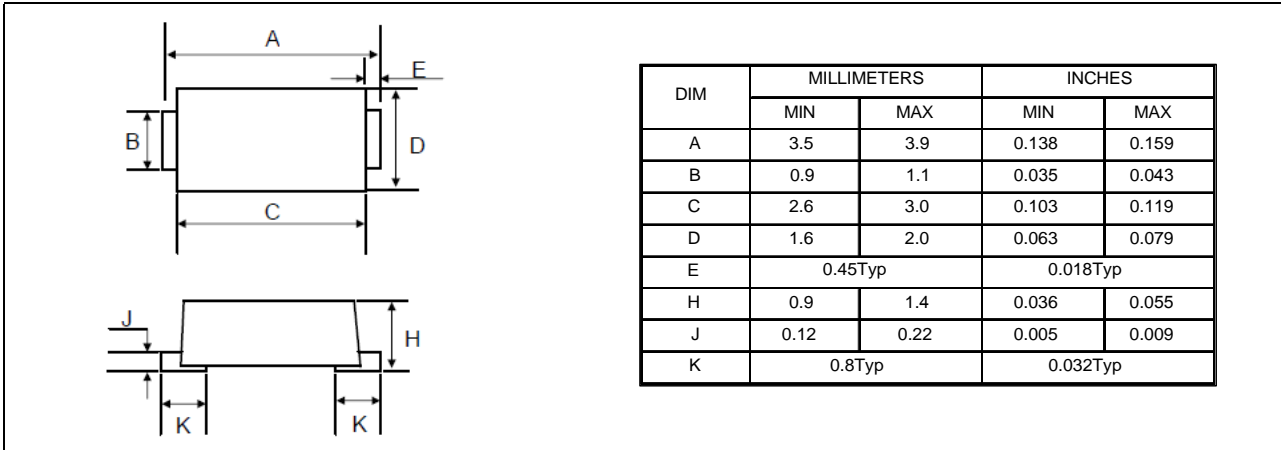


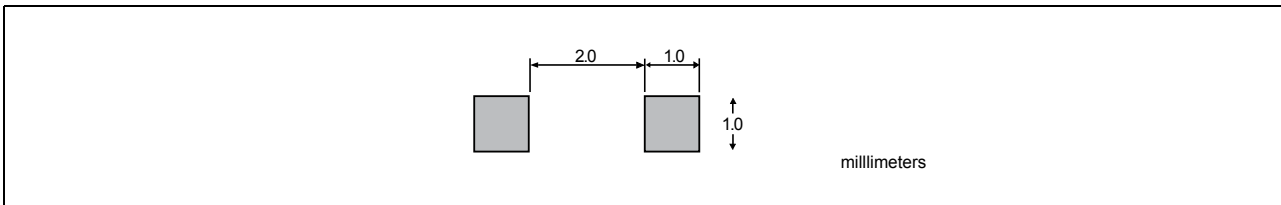
Figure 6. Typical Transient Thermal Impedance



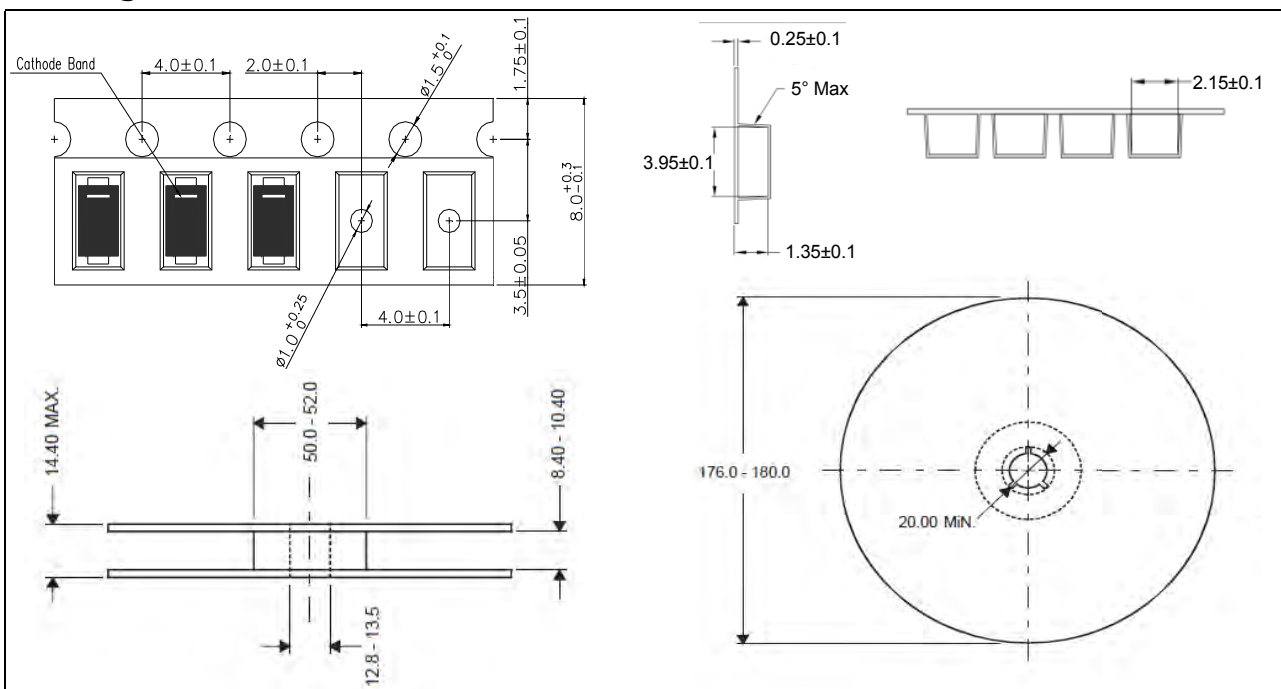
Package Dimensions



Pad Dimensions



Package Information



Ordering information

Order code	Package	Packaging option	Base quantity	Packaging specification
RS1AL thur RS1ML	SOD-123FL	Tape and reel	3000pcs / reel	EIA STD RS-481

Revision history

Date	Revision	Changes
23-May-2016	1.0	Initial release

CAUTION / WARNING

Information in this document is believed to be accurate and reliable. However, CREATEK does not give any representations or warranties, expressed or implied, as to the accuracy or completeness of such information and shall have no liability for the consequences of use of such information.

Users should independently evaluate the suitability of and test each product selected for their own applications, and CREATEK assumes no liability whatsoever relating to the choice, selection or use of the CREATEK products and services described herein.

CREATEK reserves the right to change or update, without notice, any information contained in this publication; to change, without notice, the design, construction, processing, or specification of any product; and to discontinue or limit production or distribution of any product.

Information in this document supersedes and replaces all information previously supplied.

Products are not designed, authorized or warranted to be suitable for use in medical, military, aircraft, space or life support equipment, nor in applications where failure or malfunction of an CREATEK product can reasonably be expected to result in personal injury, death or severe property or environmental damage. CREATEK accepts no liability for inclusion and/or use of CREATEK products in such equipment or applications and therefore such inclusion and/or use is at the customer's own risk.


This document as well as the item(s) described herein may be subject to export control regulations. Export might require a prior authorization from national authorities.

Resale of CREATEK products with provisions different from the statements and/or technical features set forth in this document shall immediately void any warranty granted by CREATEK for the CREATEK product or service described herein and shall not create or extend in any manner whatsoever, any liability of CREATEK.

CREATEK expressly disclaims all implied warranties regarding the information contained herein, including, but not limited to, any implied warranties of merchantability or fitness for a particular purpose. CREATEK only obligations are those in the CREATEK Standard Terms and Conditions of Sale and in no case will CREATEK be liable for any incidental, indirect, or consequential damages arising from the sale, resale, use, or misuse of its products.

Specifications are subject to change without notice

© Copyright 2009, CREATEK Microelectronics

 CREATEK® is a registered trademark of CREATEK Microelectronics

All rights reserved