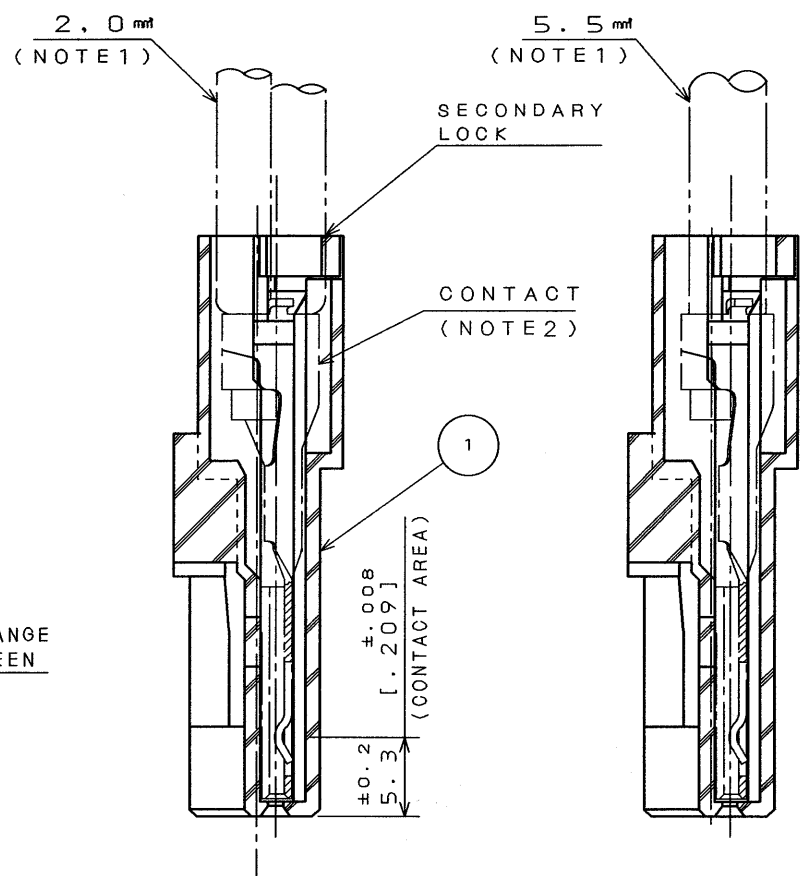
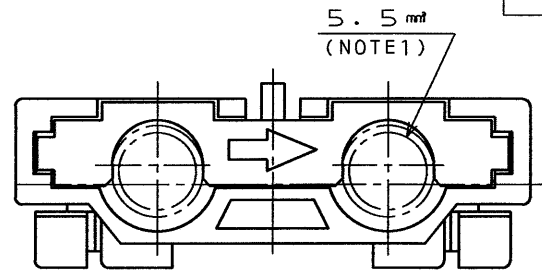
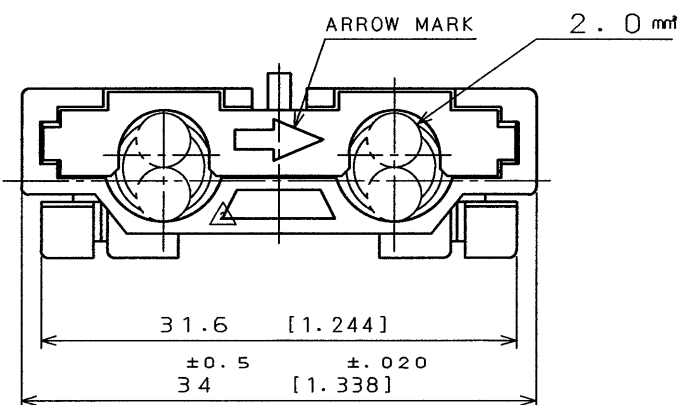


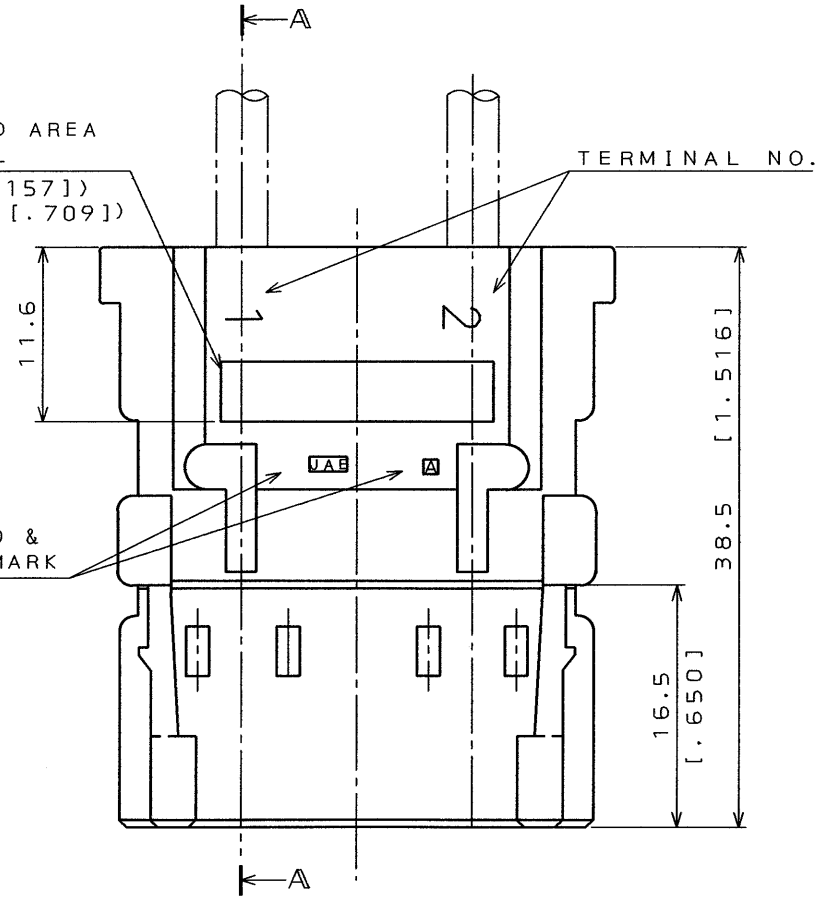
SJ024793-E

DWG. NO.

SYM.	DCN NO.	DESCRIPTION	DATE	DRAWN	CHECKED	APP'D	APP'D



CONCAVED AREA FOR SEAL
(WIDTH: 4 [.157])
(LENGTH: 18 [.709])



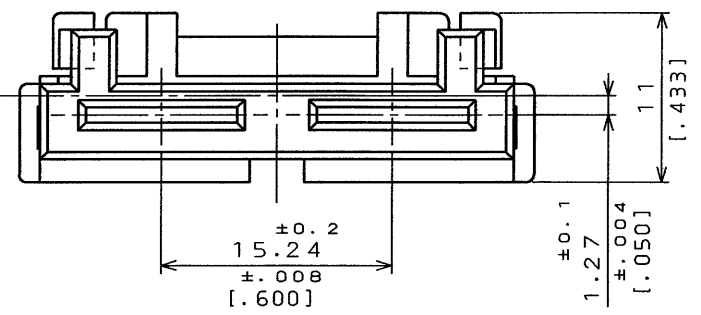
DESIGNATION

PW01-2SC-A※
 INSULATOR COLOR
 W: WHITE R: ORANGE
 Y: YELLOW G: GREEN
 MODIFICATION CODE
 FOR CRIMP TYPE
 SOCKET
 NUMBER OF CONTACTS
 SERIES

SECTION A-A

NOTE1. APPLICABLE WIRE IS 2 PC WIRES WITH 2.0mm OF NOMINAL SECTION AREA OR 1 PC WIRE WITH 5.5 mm, WHICH ARE SPECIFIED IN JIS C 3316.

NOTE2. CONTACT (DRAWING NO. SJ025516) IS TO BE SOLD SEPARATELY.

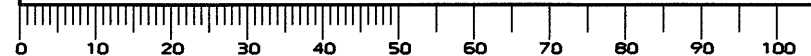


DIMENSIONS ARE IN MILLIMETERS
TOLERANCES ON: (INCHES)

DIMENSION	ANGLES	CONCENTRICITY
• ±0.8 [.031]	° ±	WITHIN T.I.R.
•X ±0.4 [.016]	°X ±	
•XX ±0.1 [.004]		
•XXX ±		

ITEM	DESCRIPTION	Q'TY	MATERIAL	FINISH	REMARKS
1	INSULATOR	1	6-6NY	NONE	UL94V-0
REFERENCE DOCUMENT		DATE	SCALE	TITLE	
		19. Apr. '94	1	PW01-2SC-A※ INSULATOR	
MATERIAL		DRAWN	SERIES		
		M. YOKOO	PW01		
TREATMENT		CHECKED	DWG. NO.		
		M. WATANABE	SJ024793-E		
FINISH		APP'D	MUSASHINO, AKISHIMA-SHI TOKYO, JAPAN		
		<i>H. Asai</i>	JAE-CONNECTOR.COM Reference Only JAE MUSASHINO, AKISHIMA-SHI TOKYO, JAPAN		

DCF-115A



CDS-90-11587

SIZE A3