

# TOLC-2X

## Lumichain

Part Number	Color Code	Drive mode
TOLC-2X	W、S、C、R、G、B、Y	DC



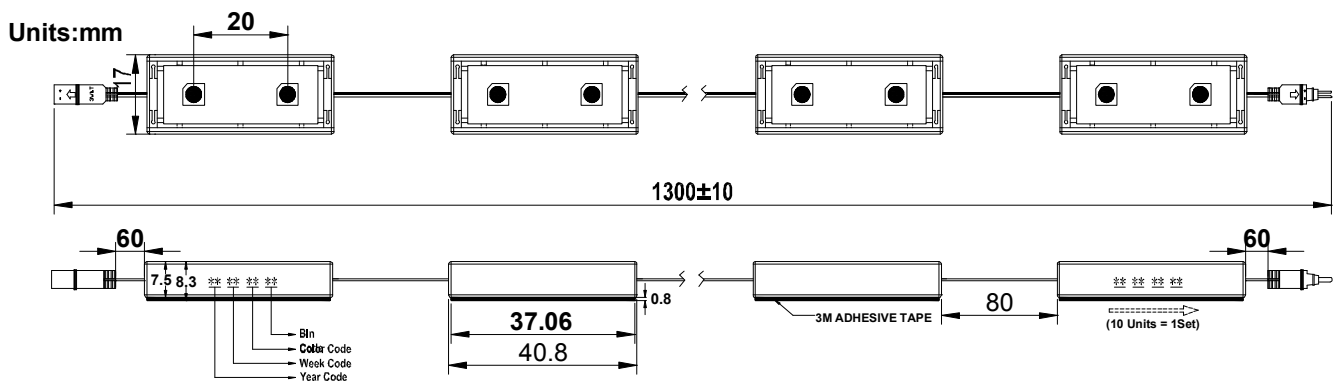
### Features

- Color is available in: warm white, snow white, cool white, red, green, blue, yellow, RGB (RGB controller available)
- Waterproof
- Windows digital interface
- Working voltage: 12V DC
- Easy installation
- Customized design available
- Lead-Free Package (According to RoHS)

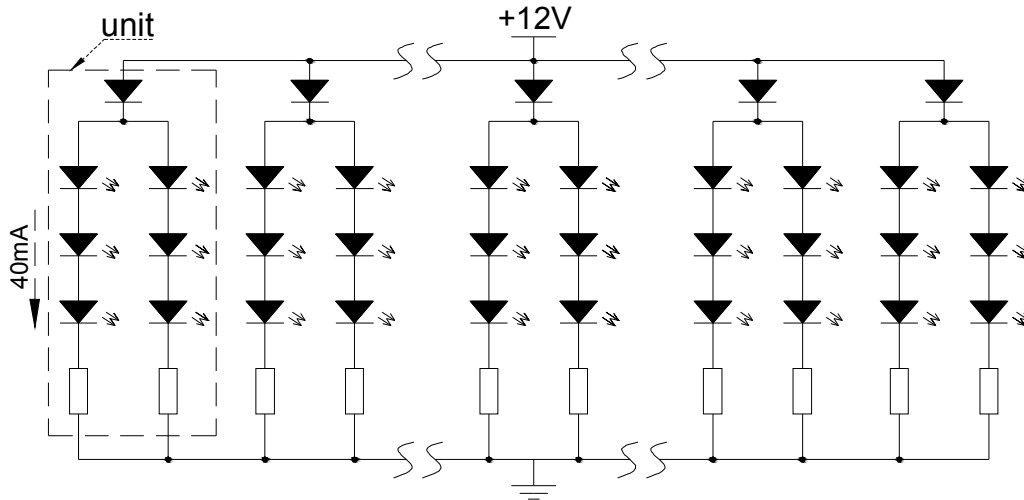
### Applications

- Under-cabinet lighting
- Refrigerated display lighting
- Bar and freezer cabinets
- Decorative lighting
- Cove lighting

### Dimensions



## Typical Electrical Character Chart



## Absolute Maximum Rating @ Ta=25°C

Parameter	Maximum Rating	Unit
Operating Voltage (DC)	12	V
Operating Current per Unit (DC)	40	mA
Operating Current per Set (DC)	400	mA
Power Dissipation per Unit	0.48	W
Power Dissipation per Set	4.8	W
Operating Temperature Range	-25°C to +85°C	
Storage Temperature Range	-30°C to +85°C	
Guarantee Period	1 year	
Waterproof Grade	IP67	

## Electrical / Optical Characteristic @ Ta=25°C

Parameter	Value							Unit
LED Color	Warm White	Snow White	Cool White	Red	Green	Blue	Yellow	Color
Color Code	W	S	C	R	G	B	Y	P/N
Luminous Intensity Per Dot 20mA	5500	5500	5500	810	3010	810	1550	mcd
Viewing Angle	120							deg
Color Temperature & Wave Length (typ.)	3000	6500	8000	620	522	470	590	nm

## Reliability Tests

Item	Condition	Time
Thermal Shock	-40°C*10mins ~ 100°C*10mins	100 cycles
Temperature Humidity Storage	Ta= 65°C, RH= 90%	500h
High Temperature Storage	Ta= 105°C	500h
Low Temperature Storage	Ta= -35°C	500h
DC Operating Life	Ta= 25°C, 20mA	1000h