

## 组合-BMP

电容品牌：BIGCAP®  
 引出方式：导线引出  
 标称容量：0.047F~30F  
 额定电压：5.5V~7.5V  
 计量单位：只  
 外形结构：圆柱  
 耐温性能：-40°C~+65°C



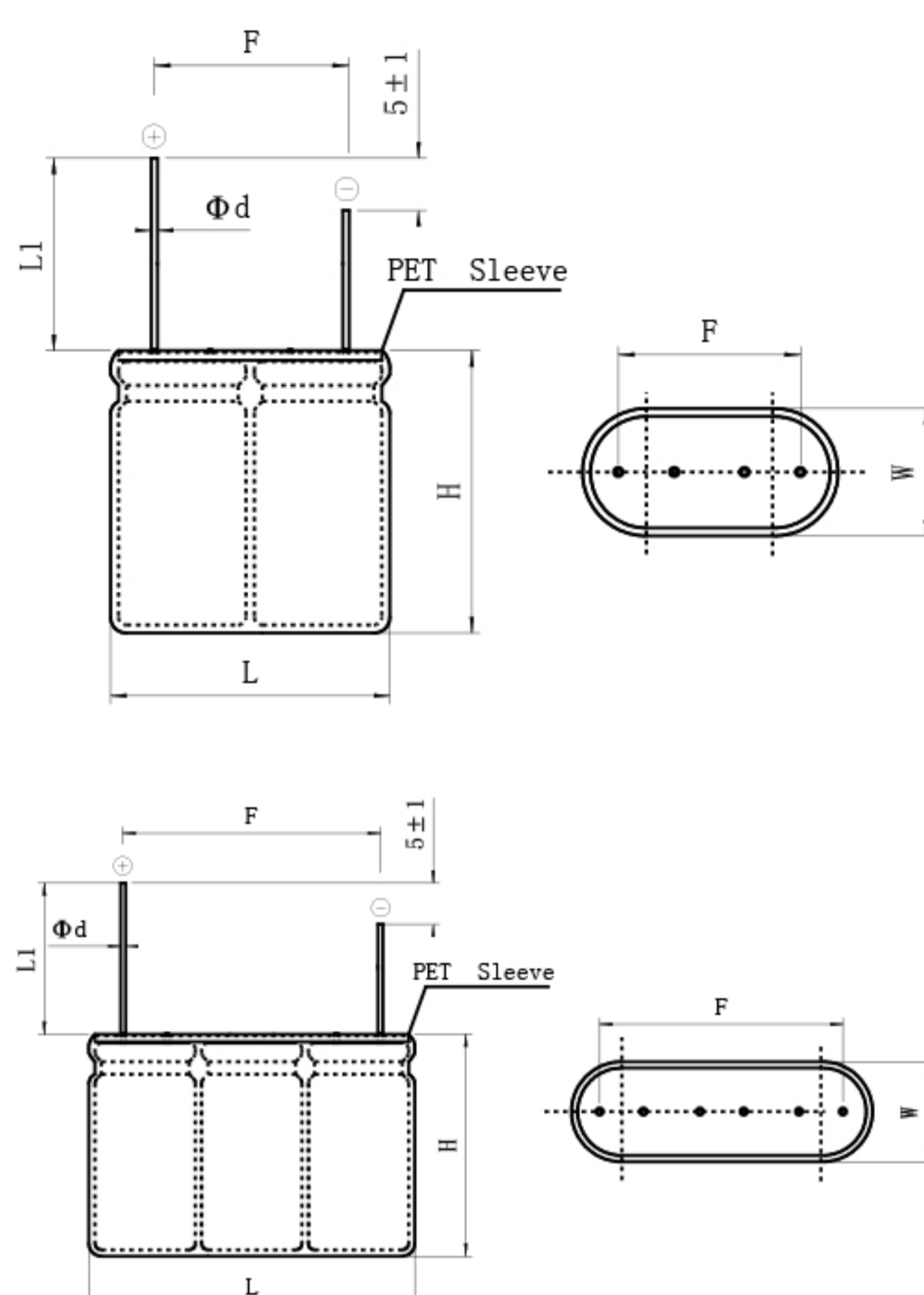
产品参数表

产品特点

产品应用

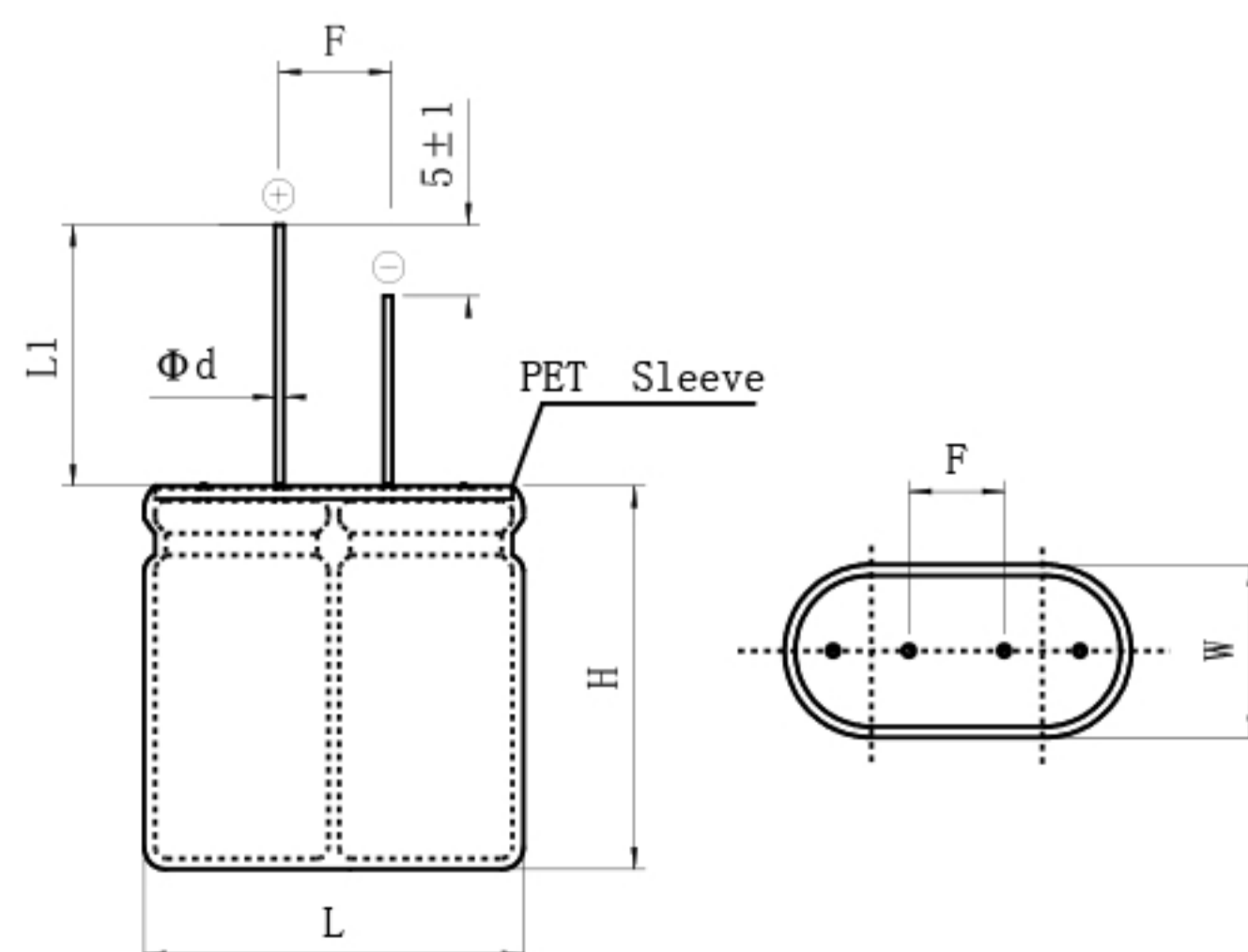
产品性能

两端引出式产品外形示意图：



型号 Part Number	额定电压 Nominal Voltage , V dc	容量 Capacitance F	容量 允许偏差 Cap.olerance	内阻 ESR , mΩ		尺寸 Size , mm			
				AC@1kHz	DC	L×W×H	φd	F	L1
BMP005R5L473FA	5.5	0.047	0~+80%	900	1350	11×6×13	0.5	7	27
BMP005R5L473FB	5.5	0.047	0~+80%	900	1350	11×6×12	0.5	7	27
BMP005R5L104FA	5.5	0.1	±20%	1000	1500	11×6×13	0.5	7	27
BMP005R5L104FB	5.5	0.1	±20%	1000	1500	13×7×14	0.5	9	27
BMP005R5L224FA	5.5	0.22	0~+40%	800	1200	13×7×14	0.5	9	27
BMP005R5L224FB	5.5	0.22	±20%	800	1200	11×6×13	0.5	7	27
BMP005R5L224FC	5.5	0.22	±20%	1000	1500	13×7×12	0.5	9	27
BMP005R5L334FA	5.5	0.33	0~+40%	800	1200	17×9×15	0.6	12	29
BMP005R5L474FA	5.5	0.47	0~+40%	600	900	17×9×15	0.6	12	29
BMP005R5L474FB	5.5	0.47	0~+80%	400	600	17×9×21	0.6	12	29
BMP005R5L474FC	5.5	0.47	0~+80%	400	600	17×9×15	0.6	12	29
BMP005R5L474FD	5.5	0.47	±20%	600	900	13×7×14	0.5	9	27
BMP005R5L105FA	5.5	1	±20%	280	420	17×9×21	0.6	12	29
BMP005R5L105FB	5.5	1	±20%	280	420	21×10×21	0.6	15	29
BMP005R5L155FA	5.5	1.5	±20%	200	300	17×9×21	0.6	12	29
BMP005R5L155FB	5.5	1.5	±20%	240	360	17×9×18	0.6	12	29
BMP005R5L155FH	5.5	1.5	0~+40%	160	240	21×10×21	0.6	15	29
BMP005R5L155FJ	5.5	1.5	±20%	200	300	21×10×18	0.6	15	29
BMP005R5L205FA	5.5	2	0~+40%	140	210	26×13×22	0.6	18	27
BMP005R5L205FC	5.5	2	±20%	120	180	21×10×21	0.6	15	29
BMP005R5L255FA	5.5	2.5	±20%	140	210	21×10×21	0.6	15	29
BMP005R5L305FA	5.5	3	±20%	140	210	21×10×21	0.6	15	29
BMP005R5L405FA	5.5	4	±20%	100	150	26×13×22	0.6	18	27
BMP005R5L405FC	5.5	4	±20%	100	150	26×13×21	0.6	18	29
BMP005R5L505FA	5.5	5	±20%	100	150	26×13×27	0.6	18	29
BMP005R5L805FB	5.5	8	±20%	60	90	33×17×23	0.8	24	29
BMP005R5L805FC	5.5	8	±20%	60	90	33×17×28	0.8	24	29
BMP005R5L106FA	5.5	10	±20%	50	75	33×17×28	0.8	24	29
BMP005R5L156FA	5.5	15	±20%	50	75	33×17×35	0.8	24	29
BMP005R5L256FA	5.5	25	±20%	40	60	37×19×43	0.8	26	29
BMP005R5L306FA	5.5	30	±20%	30	45	37×19×43	0.8	26	29
BMP007R5L104FA	7.5	0.1	0~+80%	1200	1800	19.5×7×14	0.5	10	27
BMP007R5L334FA	7.5	0.33	0~+80%	600	900	25×9×15	0.6	13.5	29
BMP007R5L704FA	7.5	0.7	±20%	420	630	25×9×21	0.6	13.5	29
BMP007R5L105FA	7.5	1	±20%	300	450	25×9×21	0.6	13.5	29
BMP007R5L105FB	7.5	1	±20%	240	360	31×11×18	0.6	16	29
BMP007R5L155FA	7.5	1.5	0~+40%	210	315	39×13×22	0.6	21	29
BMP007R5L155FB	7.5	1.5	0~+40%	210	315	31×10×21	0.6	16	27/29
BMP007R5L205FA	7.5	2	±20%	210	315	31×10×21	0.6	16	27/29
BMP007R5L255FA	7.5	2.5	±20%	150	225	39×13×22	0.6	21	27
BMP007R5L335FA	7.5	3.3	±20%	150	225	39×13×27	0.6	21	29
BMP007R5L505FA	7.5	5	±20%	90	135	49×17×28	0.8	25.5	29

中间引出式产品外形示意图：



型号 Part Number	额定电压 Nominal Voltage , V dc	容量 Capacitance F	容量 允许偏差 Cap.olerance	内阻 ESR , mΩ		尺寸 Size , mm			
				AC@1kHz	DC	L×W×H	φd	F	L1
BMP005R5L474FG	5.5	0.47	0~+80%	180	270	21×10×21	0.6	5.3	29
BMP005R5L474FH	5.5	0.47	0~+40%	600	900	17×9×15	0.6	5	29
BMP005R5L474FJ	5.5	0.47	0~+80%	400	600	17×9×15	0.6	5	29
BMP005R5L105FD	5.5	1	±20%	280	420	17×9×21	0.6	5	29
BMP005R5L155FC	5.5	1.5	±20%	200	300	17×9×21	0.6	5	29
BMP005R5L205FB	5.5	2	0~+40%	140	210	26×13×22	0.6	7.5	27