

## AJ For Inverter Air-conditionings

- For high ripple current application such as air conditioning system
- AJ series is load life of 5000 hours at 105°C

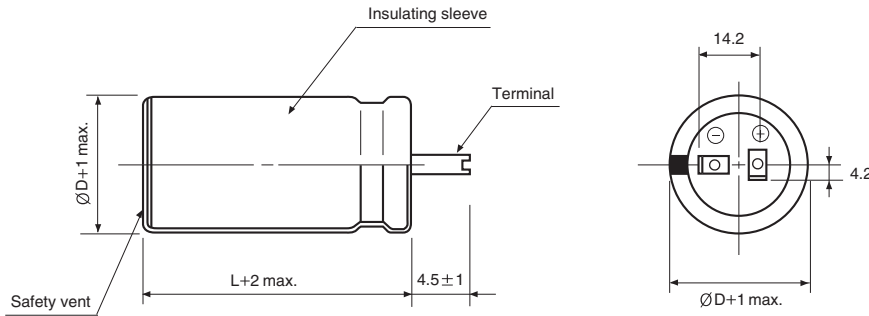
AK → **AJ**  
Long life



Item	Characteristics	
Operating temperature range	-40 ~ +105°C	
Capacitance tolerance	± 10% at 120Hz, 20°C	
Leakage current max.	$I=3\sqrt{CV}$ (µA) (after 5 minutes)	
Dissipation factor (120Hz, 20°C)	WV	450
	tanδ	0.20
Low temperature characteristics (Impedance ratio at 120Hz)	Z(-25°C) / Z(+20°C)	8
	Z(-40°C) / Z(+20°C)	16
Load life	The following specifications shall be satisfied when the capacitors are restored to 20°C after subjected to DC voltage with the rated ripple current is applied for 5000 hours at 105°C	
	Leakage current	Less than specified value
	Capacitance change	Within ±20% of initial value
	tanδ	Less than 200% of specified value
Shelf life(at 105°C)	After 1000 hours no load test, leakage current, capacitance and tanδ are same as load life value. The measurement shall be performed at 20°C by the KS C IEC 60384 - 4	

### ● DRAWING

Unit : mm



WV	µF	ØD	30		35	
			30 × 60	2.85	35 × 50	2.85
450	680		30 × 70	3.34	35 × 60	3.34
	820				35 × 70	3.52

↑ ↑  
Ripple current (A rms) at 105°C, 120Hz  
Case size ØD × L (mm)