

LARGE ALUMINUM ELECTROLYTIC CAPACITORS



Upgrade

AL For Inverter Air-conditionings

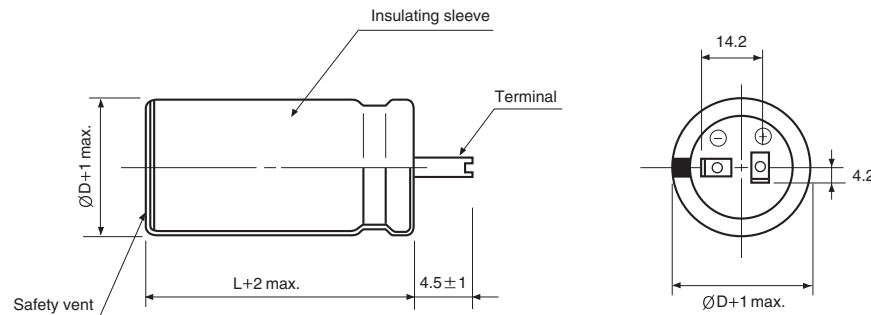
- For high ripple current application such as air conditioning system
- AL series is load life of 5000 hours at 85°C



Item	Characteristics	
Operating temperature range	-40 ~ +85°C	
Capacitance tolerance	± 10% at 120Hz, 20°C	
Leakage current max.	$I=3 \sqrt{CV}$ (µA) (after 5 minutes)	
Dissipation factor (120Hz, 20°C)	WV	450
	tanδ	0.20
Low temperature characteristics (Impedance ratio at 120Hz)	WV	450
	Z-25°C / Z+20°C	8
	Z-40°C / Z+20°C	16
Load life	The following specifications shall be satisfied when the capacitors are restored to 20°C after subjected to DC voltage with the rated ripple current is applied for 5000 hours at 85°C	
	Leakage current	Less than specified value
	Capacitance change	Within ± 20% of initial value
	tanδ	Less than 200% of specified value
Shelf life (at 85°C)	After 1000 hours no load test, leakage current, capacitance and tanδ are same as load life value. The measurement shall be performed at 20°C by the KS C IEC 60384 - 4	

● DRAWING

Unit : mm



WV	µF	30		35	
		Case size	Ripple current	Case size	Ripple current
450	470	30 × 50	3.50	35 × 40	3.50
	560	30 × 60	4.00	35 × 50	4.00
	680	30 × 70	4.40	35 × 60	4.40
	820			35 × 70	4.80

↑ Ripple current (A rms) at 85°C, 120Hz
 ↑ Case size ØD×L (mm)